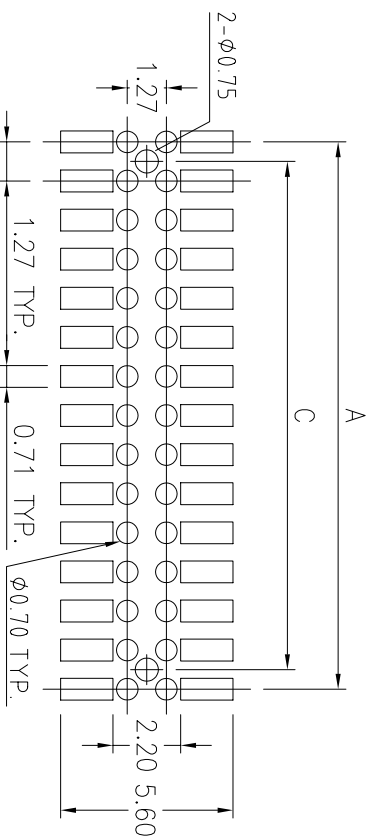


A=1.27×(No. of Contact/2-1)
 B=1.27×(No. of Contact/2)+0.4
 C=1.27×(No. of Contact/2-2)



RECOMMENDED PCB LAYOUT

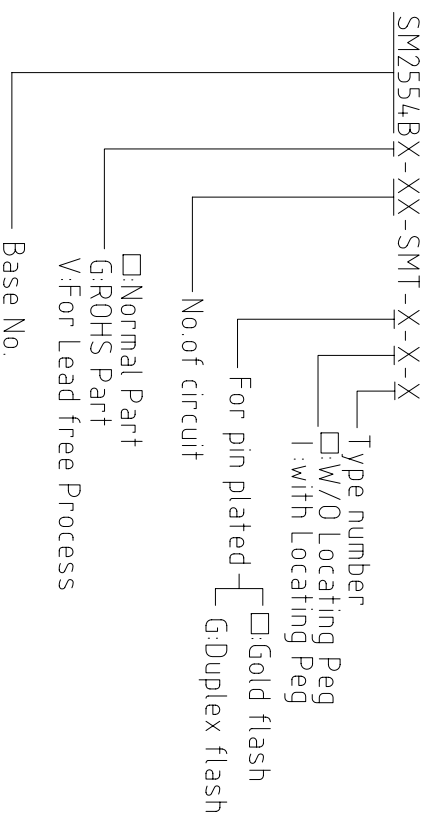
FEATURES
 Available in 06-40 circuits

MATERIAL
 Contact material: Brass
 Insulator Material: Polyester, UL 94 V-0

FINISH
 Contact: Duplex flash over all nickel

SPECIFICATIONS
 Current Rating: 1AMPS
 Insulation resistance: 500 MΩ min.
 Dielectric withstanding Voltage: 500 VAC/DC
 Operating Temperature: -45°C to +105°C
 Contact resistance: 20m Ω max.

HOW TO ORDER



LONG CHU ELECTRONICS CO. LTD
LCU 龍竹企業股份有限公司

DESCRIPTION:

1.27mm Dual Row Female Header(P=2.2mm)

		MATERIAL			
		SEE NOTE			
		DR. NORETA-	RE.	UNIT	Mm
		CHK.	APP.		
REV.		REV. RECORD		DATE	
GENERAL TOLERANCE		SIZE	P/N	SHEET NO.	
0. ±±.50	0. ±±.5	A4	SM2554B-SMT-P2.2 SERIES		
0.0 ±±.30	0.0 ±±.1	SCALE	REV. C		
0.00 ±±.20	--				